



WALRUS
PUMP



TPGK Series - Cooling Pump

For high performance industrial or commercial cooling system



Better Life Through Innovation

The leading choice for EV charging cooling system

Easy installation and quick maintenance

Vertical immersible cooling pump without mechanical seal



Corrosion resistant material

Pump body and impeller adopt brass material. Suitable to carry fluids such as water, coolant, light oil and other clean, non-aggressive liquids

Thermal overload protection

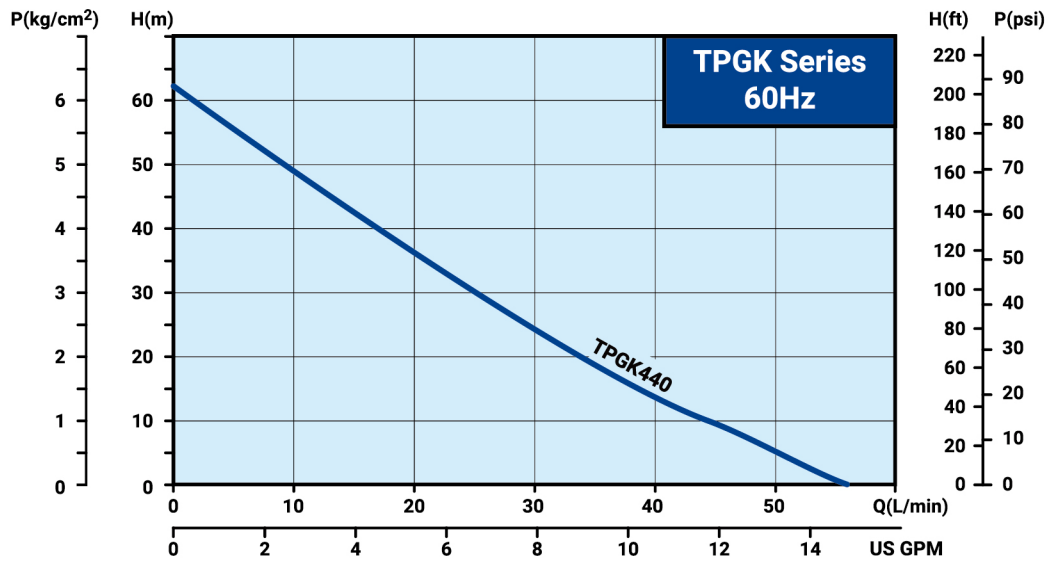
Single-phase motor equipped with thermal overload protection to prevent failure during high operating temperature

Applications

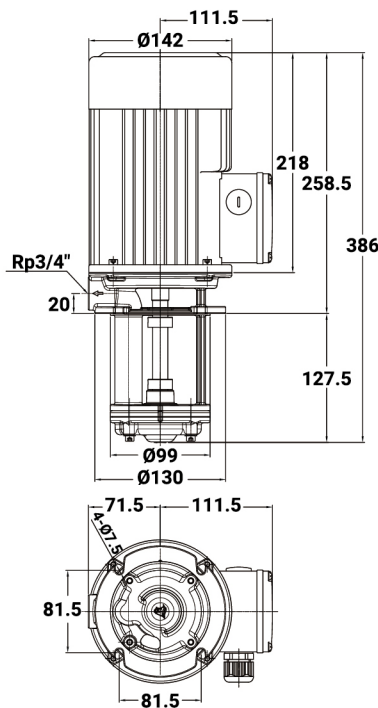
- EV charging system
- Cooling equipment
- Drilling/Tapping machine
- Filtering system
- Small lathe



Performance Curve



Dimensions



Operating Conditions

- Ambient temperature : Max.+40°C
- Liquid temperature : +4°C ~ +150°C
- Pressure Range : Max. 10 kg/cm²
- Immersion depth : Min. 40 mm
- Applicable liquid : clean water without impurities, clean and thin neutral liquid that is not corrosive.

Motor

- Protection rating : IP54
- Insulation rating : H.

Electrical Data, 60Hz

Model	Phase Ø	Voltage code	Cycle Hz	Volt V	Output kW	Amp's A	Outlet in.	N.W. kg
TPGK440	1	61C	60	115	0.98	13.2	3/4"	12.7



WALRUS
PUMP

Walrus America Inc.

20220 Hempstead Road, Suite #30, Houston, TX 77065

Phone: 281-955-8035 Fax: 281-955-8037

Web: www.walrusamerica.com

© 2023 Walrus Pump Co., Ltd. All rights reserved.

All specifications are subject to change without notice. TPGK - EN202304

