



WALRUS®

TS400C / TS800C Auto Pressure Control Pump



Product Description

The Walrus TS400C & TS800C is a compact booster systems equipped with auto pressure controller. The controller provides constant pressure and flow which will automatically start and stop the pump when the tap is open and close. This feature also provides dry run protection.

Applications

Boosting pressure for:

- *Homes where the incoming city water pressure is too low
- *Portable water supply or underground water
- *Washing/cleaning system
- *Irrigation system

Design Features

- *Centrifugal, multistage pump
- *Suitable for both plain and salt water application.
- *TEFC motor with Class B insulation
- *Dry run protection
- *Pressure control with adaptive cut-in pressure
- *Mechanical Shaft Seal made of Ceramic + Carbon + Viton
- *Automatic start and stop when the faucet is turn on and off.

Benefit

- *Quick and easy installation
- *Low maintenance
- *Compact design
- *Quiet operation with noise level as low as 65 db(A)
- *Pump meets CSA-C/US and CE

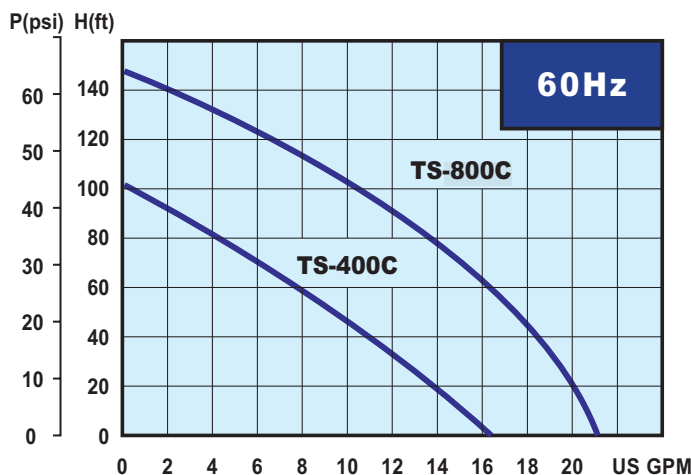
Operation Limits

- Max. Flow rate : 21.1 GPM
- Max. total head: 147.6 Ft (64 psi)
- Preset activation pressure : 30~40 psi
- Max. liquid temperature: 104 °F
- Max. ambient temperature: 104 °F
- Max. system pressure: 120 psi
- Inlet size: 1" NPT
- Outlet size: 1" NPT

Model Code



Hydraulic Performance Curves (Flood suction)



All specifications are subject to change without notice. 000

Walrus America Inc

Product Data



WALRUS®

TS400C / TS800C Auto Pressure Control Pump

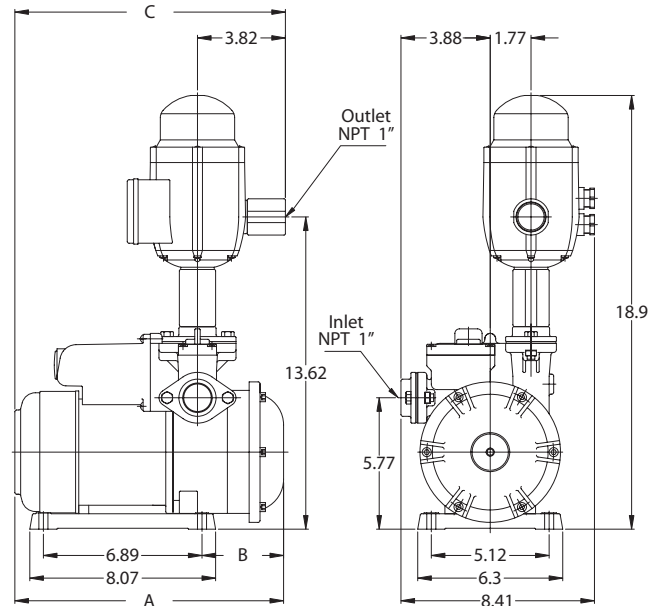
Construction

Part name	TS400C	TS800C
Pump casing	glass filled noryl	
Filling plug	NyLon	
Outlet & Inlet	SUS 304	
Intermediate Chamber	glass filled polycarbonate	
Impeller	glass filled noryl	
Mechanical Seal	Ceramic + Carbon + Viton	
Shaft	SUS 316	
Motor Shell	Coating Steel	Aluminum alloy

Suction Lift Performance Table

Model	Discharge pressure in psi	Capacity in US gallons per Minute						Max pump boost pressure (psi)
		Suction Lift in Feet						
		0	5	10	15	20	25	
TS400C	10	13.5	12.7	10.2	11.2	10.5	9.7	44
	20	10.0	9.2	8.5	7.5	6.7	6.0	
	30	6.2	5.2	4.2	3.2	2.5	1.5	
TS800C	20	17.7	17.2	16.7	16.2	15.5	14.7	64
	30	15.2	14.5	13.7	13.0	12.2	11.5	
	40	11.7	11.0	10.2	9.0	8.2	7.0	
	50	7.5	6.5	5.5	4.5	3.2	2.0	

Dimensions: (in.)



Model	A (in.)	B (in.)	C (in.)
TS400C	11.69	3.54	11.75
TS800C	13.82	3.48	13.56

Specification

Model	Ph (Ø)	Cycle (Hz)	Power (HP)	Voltage (V)	Max Amp's (A)	Preset Pressure (psi)	Max Pressure (psi)	Max Flow (GPM)	N.W. (lbs)
TS400C	1	60	½	115 or 230	6.0 or 3.0	30	44	15.8	21.6
TS800C	1	60	1	230	5.5	40	64	21.1	28.3

Warning: The inlet pressure will add to the pump max pressure to be the total system pressure. When the total system pressure exceeds the local code limits for home pressure, it is required to install a pressure reducing valve to reduce the incoming pressure.

All specifications are subject to change without notice. 000

Walrus America Inc

Product Data