



# WALRUS®

## TPH-C Series Auto Pressure Control Pump

ISO 9001



### Product Description

The Walrus TPH-(S)C is a compact booster systems equipped with auto pressure controller. The controller provides constant pressure and flow which will automatically start and stop the pump when the tap is open and close. This feature also provides dry run protection.

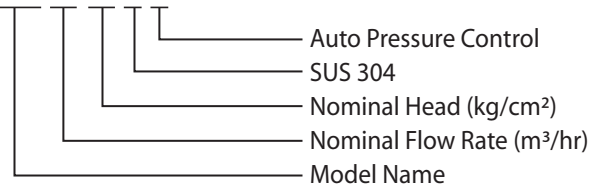
### Applications

Boosting pressure for:

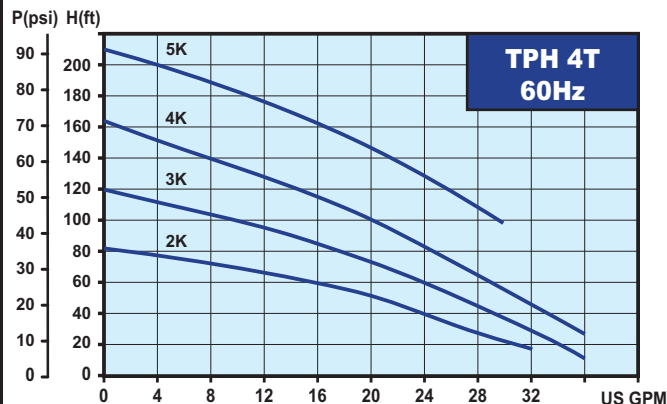
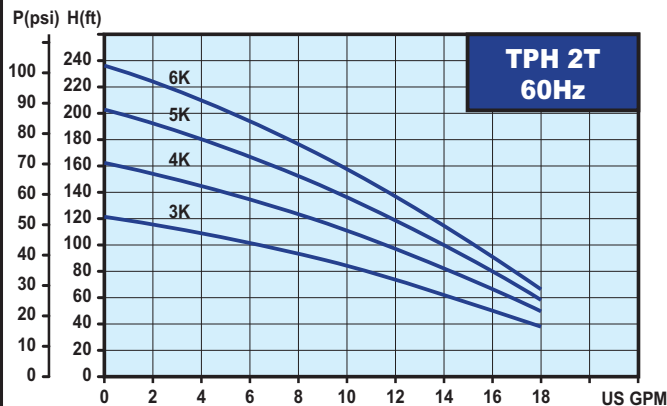
- \*Homes where the incoming city water pressure is too low
- \*Portable water supply or underground water
- \*Washing/cleaning system
- \*Irrigation system

### Model Code

TPH 4T 2K S C



### Hydraulic Performance Curves (Flood suction)



### Design Features

- \*Centrifugal, multistage pump
- \*Pump casing is either made of cast iron (standard) or stainless steel ("S" type)
- \*TEFC motor with Class F insulation
- \*Dry run protection
- \*Pressure control with adaptive cut-in pressure
- \*Mechanical shaft seal
- \*Automatic start and stop when the faucet is turn on and off.

### Benefit

- \*Quick and easy installation
- \*Low maintenance
- \*Compact design
- \*Quiet operation with noise level as low as 70 db(A)
- \*Pump meets CSA-C/US and CE

### Operation Limits

- Max. Flow rate : 38.3 GPM
- Max. total head: 236 Ft (102 psi)
- Preset activation pressure : 40 psi  
(TPH4T2KC : 21 psi)
- Max. liquid temperate: 140 °F
- Max. ambient temperature: 104 °F
- Max. system pressure: 142 psi
- Inlet size: 2T - 1" NPT  
4T - 1¼" NPT
- Outlet size: 1" NPT

**Walrus America Inc**



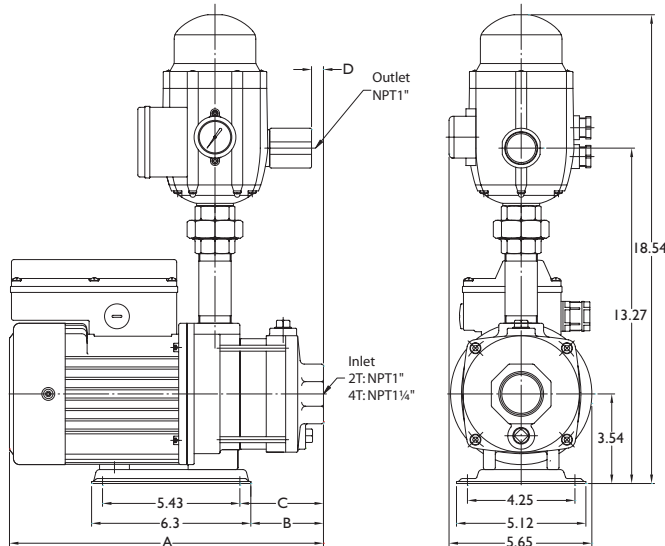
# WALRUS®

## TPH-C Series Auto Pressure Control Pump

### Construction

Part name	Standard	S series
Pump casing	Cast iron (FC 20)	SUS 304
Suction Chamber	Cast iron (FC 20)	SUS 304
Impeller	SUS 304	SUS 304
Shaft	SUS 304	SUS 304
Intermediate Chamber	SUS 304	SUS 304
Stud Bolt	SCM 435	SCM 435
Mechanical Seal	Tungsten carbide + HNBR	
Motor Shell	Aluminum alloy	

### Dimensions: ( in. )



### Suction Lift Performance Table

Model	Discharge pressure in psi	Capacity in US gallons per minute						Max pump boost pressure (psi)
		Suction lift in feet						
		0	5	10	15	20	25	
2T3K(S)C	20	16.5	16.0	15.0	14.0	13.0	12.5	52
	30	12.5	12.0	11.0	10.0	9.0	8.0	
	40	8.0	7.0	6.0	4.5	3.0	1.5	
2T4K(S)C	30	15.5	15.0	14.5	13.7	13.0	12.5	71
	40	12.5	12.0	11.2	10.5	9.7	9.0	
	50	9.2	8.5	7.5	6.5	5.7	4.7	
2T5K(S)C	40	14.7	14.2	13.7	13.2	12.7	12.2	88
	50	12.2	11.7	11.2	10.7	10.2	9.5	
	60	9.7	9.0	8.5	7.7	7.0	6.5	
2T6K(S)C	70	6.7	6.0	5.2	4.5	3.7	3.0	102
	50	14.0	13.5	13.0	12.5	12.0	11.5	
	60	11.7	11.2	10.7	10.2	9.7	9.2	
4T2K(S)C	70	9.5	9.0	8.5	8.0	7.5	7.0	35
	80	7.0	6.5	6.0	5.2	4.7	4.0	
	90	4.2	3.5	3.0	2.2	1.5	0.5	
4T3K(S)C	10	29.5	27.0	25.5	24.0	23.0	21.5	52
	20	22.0	20.5	18.5	16.5	13.0	9.0	
	30	29.5	28.0	26.5	25.0	23.5	22.0	
4T4K(S)C	40	13.0	12.0	9.5	7.0	4.5	1.5	71
	30	29.0	27.5	26.5	25.5	24.0	22.5	
	40	23.5	22.0	20.5	19.0	17.5	16.0	
4T5K(S)C	50	17.0	15.5	13.5	12.0	10.5	8.5	91
	60	9.5	7.5	5.5	3.2	2.5	-	
	70	22.0	21.0	20.0	19.0	18.0	17.0	
4T5K(S)C	40	31.0	30.0	29.0	28.0	27.0	26.0	91
	50	26.0	25.0	24.0	23.0	22.0	21.0	
	60	22.0	21.0	20.0	19.0	18.0	17.0	
4T5K(S)C	70	17.0	16.0	15.0	13.5	11.0	9.0	91

### Specification

Model	Ph (Ø)	Cycle (Hz)	Power (HP)	Voltage (V)	Max Amp's (A)	Preset Pressure (psi)	Max Pressure (psi)	Max Flow (GPM)	Dimensions: ( in. )				N.W. (lbs)
									A	B	C	D	
TPH2T3K(S)C	1	60	½	115 or 230	10.0 or 5.0	40	52	19.8	12.72	3.19	3.62	0.79	30.2
TPH2T4K(S)C	1	60	½	115 or 230	10.0 or 5.0	40	71	21.1	13.43	3.90	4.33	1.50	30.5
TPH2T5K(S)C	1	60	¾	230	7.4	40	88	21.1	15.71	4.61	5.04	2.20	34.8
TPH2T6K(S)C	1	60	¾	230	7.4	40	102	21.1	16.42	5.31	5.75	2.91	34.0
TPH4T2K(S)C	1	60	½	115 or 230	10.0 or 5.0	21	35	35.6	12.36	2.83	3.27	0.44	29.8
TPH4T3K(S)C	1	60	¾	230	7.4	40	52	37.0	15.00	3.90	4.33	1.50	33.3
TPH4T4K(S)C	1	60	1	230	8.6	40	71	38.3	16.06	4.96	5.39	2.56	35.1
TPH4T5K(S)C	1	60	1½	230	10.0	40	91	30.0	17.13	6.02	6.46	3.62	35.3

Warning: The inlet pressure will add to the pump max pressure to be the total system pressure. When the total system pressure exceeds the local code limits for home pressure, it is required to install a pressure reducing valve to reduce the incoming pressure.

**Walrus America Inc**  
 9808 Whithorn Drive, Houston, TX 77095  
 Phone: (281) 861-7738 Fax: (281) 861-7776  
 Web: www.walrusamerica.com

All specifications are subject to change without notice. 001