

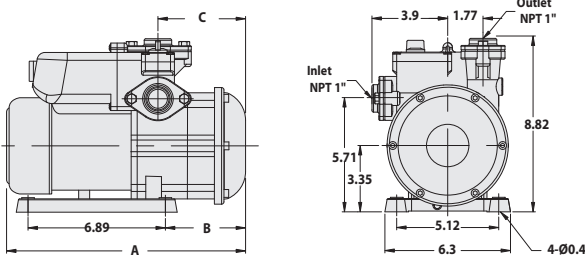


WALRUS

TS Series MultiStage Centrifugal Pump

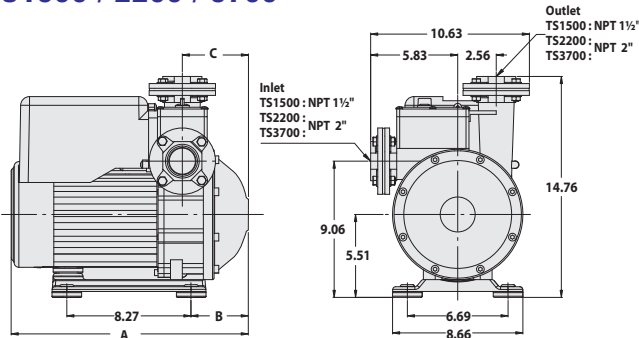
Dimensions (in.)

TS400 / 800



Model	A (in.)	B (in.)	C (in.)
TS400 ½HP	11.69	3.54	3.74
TS800 1HP	14.21	3.88	4.07

TS1500 / 2200 / 3700



Model	A (in.)	B (in.)	C (in.)
TS1500 2HP	15.93	3.96	4.55
TS2200 3HP	15.93	3.96	4.55
TS7300 5HP	15.93	3.96	4.55

Suction Lift Performance Table

Model	Discharge pressure in psi	Capacity in US gallons per minute					
		Suction lift in feet					
		0	5	10	15	20	25
TS400	10	16.9	16.1	15.4	14.5	13.5	12.5
	20	13.0	12.2	11.5	10.8	10.0	9.4
	30	9.5	8.6	8.0	7.1	6.1	4.5
TS800	10	23.5	23.0	22.5	21.8	21.0	20.0
	20	20.2	19.5	19.0	18.4	17.7	16.8
	30	17.1	16.2	15.1	14.1	13.2	12.3
	40	12.5	11.5	10.5	9.4	8.0	6.5
TS1500	10	66.7	65.2	63.8	62.1	60.4	58.3
	20	59.0	56.8	54.4	51.8	48.3	45.0
	30	46.5	43.0	39.4	36.2	33.3	30.0
	40	31.4	27.9	23.5	18.9	13.0	6.9
TS2200	10	71.0	70.8	69.9	69.1	68.0	67.0
	20	67.3	66.1	64.9	63.3	61.5	58.8
	30	59.7	57.0	53.9	50.1	46.0	41.6
	40	43.4	38.5	33.3	27.4	21.2	14.4
TS3700	10	72.2	71.8	71.4	70.8	70.2	69.4
	20	69.8	68.9	68.0	66.9	65.8	64.5
	30	65.0	63.6	62.1	60.4	58.6	56.6
	40	57.4	55.3	53.0	50.5	47.8	44.9
	50	46.0	42.9	39.6	35.9	31.9	27.4
	60	29.2	24.6	19.3	13.4	6.5	-

Specification

Model	Power (HP)	Cycle (Hz)	Phase (Ø)	Voltage (V)	Amp's (A)	Inlet (NPT)	Outlet (NPT)	H max. (ft)	Q max. (GPM)	N.W. (lbs)
TS400	½	60	1	115 or 230	6.0 or 3.0	1"	1"	114	19.0	17.6
TS800	1	60	1	115 or 230	11.0 or 5.5	1"	1"	138	25.0	24.3
TS1500	2	60	1 or 3	230	9.5 or 6.5	1½"	1½"	124	70.0	57.3
TS2200	3	60	3	230	9.5	2"	2"	128	71.3	59.5
TS3700	5	60	3	230	12	2"	2"	164	71.3	63.9

Walrus America Inc

20220 Hempstead Road, Suite #30, Houston, TX 77065
 Phone: 281-955-8035 Fax: 281-955-8037
 Web: www.walrusamerica.com

All specifications are subject to change without notice. 005