



TS-Q Series Auto Pressure Control Pump

ISO 9001



Product Description

The Walrus TS400Q & TS800Q are compact booster systems consisting of TS pump and auto pressure controller. The controller provides constant pressure and flow which will automatically start and stop the pump when the tap is open and close. It also provides dry run and cycling protection.

Applications

Boosting pressure for:

- * Homes where the incoming city water pressure is too low
- * Portable water supply or underground water
- * Washing/cleaning system
- * Irrigation system

Design Features

- * Centrifugal, multistage pump
- * TEFC motor with Class B insulation
- * Dry run and cycling protection
- * Pressure control with adaptive cut-in pressure
- * Mechanical Shaft Seal made of Ceramic + Carbon + Viton
- * Automatic start and stop when the faucet is turned on and off.

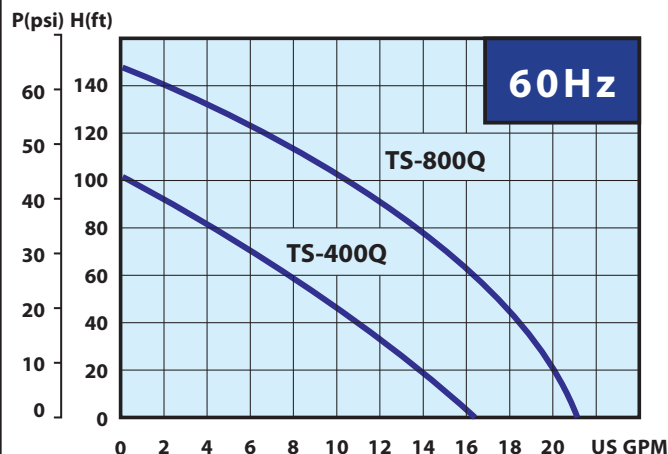
Model Code

TS800 Q

AUTO PRESSURE CONTROL

MODEL NAME

Hydraulic Performance Curves (Flooded suction)



Benefit

- * Quick and easy installation
- * Low maintenance
- * Compact design
- * Quiet operation with noise level as low as 65 db(A)

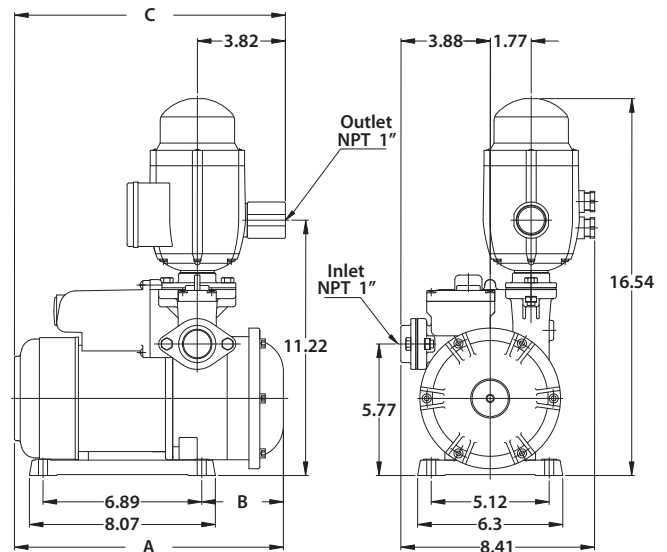
Operation Limits

- * Max. Flow rate : 21.1 GPM
- * Max. total head: 147.6 Ft (64 psi)
- * Preset activation pressure : 30~40 psi
- * Max. liquid temperature: 104 °F
- * Max. ambient temperature: 104 °F
- * Max. system pressure: 120 psi
- * Inlet size: 1" NPT
- * Outlet size: 1" NPT

Construction

| Part name | TS400Q | TS800Q |
|----------------------|----------------------------|----------------|
| Pump casing | glass filled noryl | |
| Filling plug | SUS 304 | |
| Outlet & Inlet | SUS 304 | |
| Intermediate Chamber | glass filled polycarbonate | |
| Impeller | glass filled noryl | |
| Mechanical Seal | Ceramic + Carbon + Viton | |
| Shaft | SUS 316 | |
| Motor Shell | Coating Steel | Aluminum alloy |

Dimensions: (in.)




Suction Lift Performance Table

| Model | Discharge pressure in psi | Capacity in US gallons per Minute | | | | | |
|--------|---------------------------|-----------------------------------|------|------|------|------|------|
| | | Suction Lift in Feet | | | | | |
| | | 0 | 5 | 10 | 15 | 20 | 25 |
| TS400Q | 10 | 13.5 | 12.7 | 10.2 | 11.2 | 10.5 | 9.7 |
| | 20 | 10.0 | 9.2 | 8.5 | 7.5 | 6.7 | 6.0 |
| | 30 | 6.2 | 5.2 | 4.2 | 3.2 | 2.5 | 1.5 |
| TS800Q | 20 | 17.7 | 17.2 | 16.7 | 16.2 | 15.5 | 14.7 |
| | 30 | 15.2 | 14.5 | 13.7 | 13.0 | 12.2 | 11.5 |
| | 40 | 11.7 | 11.0 | 10.2 | 9.0 | 8.2 | 7.0 |
| | 50 | 7.5 | 6.5 | 5.5 | 4.5 | 3.2 | 2.0 |

| Model | A (in.) | B (in.) | C (in.) |
|--------|---------|---------|---------|
| TS400Q | 11.69 | 3.54 | 11.75 |
| TS800Q | 13.82 | 3.48 | 13.56 |

Specification

| Model | Ph (Ø) | Cycle (Hz) | Power (HP) | Voltage (V) | Max Amp's (A) | Preset Pressure (psi) | Max Pressure (psi) | Max Flow (GPM) | Faucet  | N.W. (lbs) |
|--------|--------|------------|------------|-------------|---------------|-----------------------|--------------------|----------------|--|------------|
| TS400Q | 1 | 60 | ½ | 115 or 230 | 6.0 or 3.0 | 30 | 44 | 15.8 | 4 | 21.6 |
| TS800Q | 1 | 60 | 1 | 230 | 5.5 | 40 | 64 | 21.1 | 8 | 28.3 |

 - Assuming an average delivery of 2 GPM per minute per tap and a 20 psi discharge pressure.