



TPH-Q Series Auto Pressure Control Pump

ISO 9001



Product Description

The Walrus TPH-(S)Q is a compact booster system consisting of TPH(S) pump and auto pressure controller. The controller provides constant pressure and flow which will automatically start and stop the pump when the tap is open and close. It also provides dry run and cycling protection.

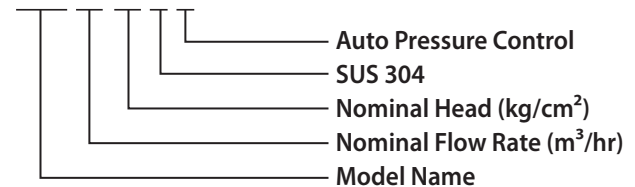
Applications

Boosting pressure for:

- *Homes where the incoming city water pressure is too low
- *Portable water supply or underground water
- *Washing/cleaning system
- *Irrigation system

Model Code

TPH 4T 2K S Q



Design Features

- *Centrifugal, multistage pump
- *Pump casing is either made of cast iron (standard) or stainless steel ("S" type)
- *TEFC motor with Class F insulation
- *Dry run and cycling protection
- *Pressure control with adaptive cut-in pressure
- *Mechanical shaft seal
- *Automatic start and stop when the faucet is turned on and off.

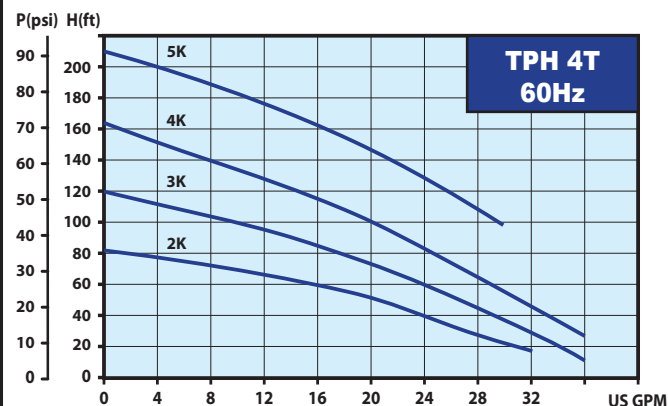
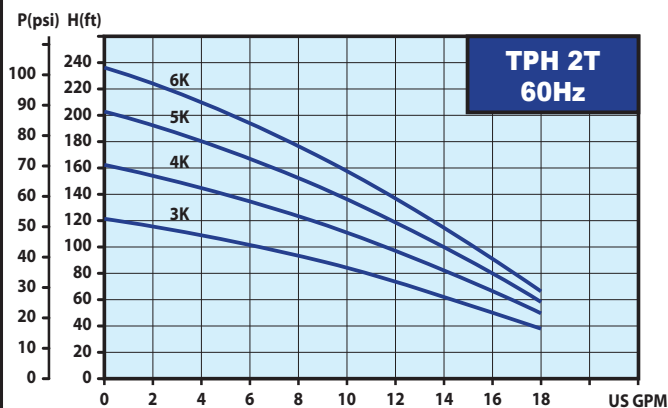
Benefit

- *Quick and easy installation
- *Low maintenance
- *Compact design
- *Quiet operation with noise level as low as 70 db(A)

Operation Limits

Max. Flow rate : 38.3 GPM
 Max. total head: 236 Ft (102 psi)
 Preset activation pressure : 40 psi
 (TPH4T2KQ : 21 psi)
 Max. liquid temperature: 140 °F
 Max. ambient temperature: 104 °F
 Max. system pressure: 142 psi
 Inlet size: 2T - 1" NPT, 4T - 1¼" NPT
 Outlet size: 1" NPT

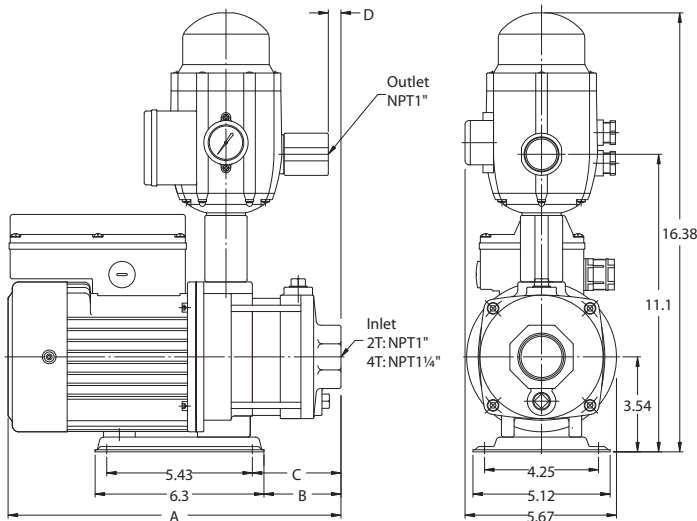
Hydraulic Performance Curves (Flooded suction)



Construction

Part name	Standard	S series
Pump casing	Cast iron (FC 20)	SUS 304
Suction Chamber	Cast iron (FC 20)	SUS 304
Impeller	SUS 304	SUS 304
Shaft	SUS 304	SUS 304
Intermediate Chamber	SUS 304	SUS 304
Mechanical Seal	SiC + SiC + HNBR	
Motor Shell	Aluminum alloy	

Dimensions: (in.)



Suction Lift Performance Table

Model	Discharge pressure in psi	Capacity in US gallons per minute Suction lift in feet					
		0	5	10	15	20	25
2T3K(S)Q	20	16.5	16.0	15.0	14.0	13.0	12.5
	30	12.5	12.0	11.0	10.0	9.0	8.0
	40	8.0	7.0	6.0	4.5	3.0	1.5
2T4K(S)Q	30	15.5	15.0	14.5	13.7	13.0	12.5
	40	12.5	12.0	11.2	10.5	9.7	9.0
	50	9.2	8.5	7.5	6.5	5.7	4.7
	60	5.2	4.2	3.2	2.0	1.0	-
2T5K(S)Q	40	14.7	14.2	13.7	13.2	12.7	12.2
	50	12.2	11.7	11.2	10.7	10.2	9.5
	60	9.7	9.0	8.5	7.7	7.0	6.5
	70	6.7	6.0	5.2	4.5	3.7	3.0
2T6K(S)Q	50	14.0	13.5	13.0	12.5	12.0	11.5
	60	11.7	11.2	10.7	10.2	9.7	9.2
	70	9.5	9.0	8.5	8.0	7.5	7.0
	80	7.0	6.5	6.0	5.2	4.7	4.0
	90	4.2	3.5	3.0	2.2	1.5	0.5
4T2K(S)Q	10	29.5	27.0	25.5	24.0	23.0	21.5
	20	22.0	20.5	18.5	16.5	13.0	9.0
4T3K(S)Q	20	29.5	28.0	26.5	25.0	23.5	22.0
	30	22.5	21.0	19.0	17.0	15.0	13.0
	40	13.0	12.0	9.5	7.0	4.5	1.5
4T4K(S)Q	30	29.0	27.5	26.5	25.5	24.0	22.5
	40	23.5	22.0	20.5	19.0	17.5	16.0
	50	17.0	15.5	13.5	12.0	10.5	8.5
	60	9.5	7.5	5.5	3.2	2.5	-
4T5K(S)Q	40	31.0	30.0	29.0	28.0	27.0	26.0
	50	26.0	25.0	24.0	23.0	22.0	21.0
	60	22.0	21.0	20.0	19.0	18.0	17.0
	70	17.0	16.0	15.0	13.5	11.0	9.0

Specification

Model	Ph (Ø)	Cycle (Hz)	Power (HP)	Voltage (V)	Max Amp's (A)	Preset pressure (psi)	Max pressure (psi)	Max flow (GPM)	Faucet	Dimensions: (in.)				N.W. (lbs)
										A	B	C	D	
TPH2T3K(S)Q	1	60	½	115 or 230	10.0 or 5.0	40	52	19.8	6	12.72	3.19	3.62	0.79	30.2
TPH2T4K(S)Q	1	60	½	115 or 230	10.0 or 5.0	40	71	21.1	6	13.43	3.90	4.33	1.50	30.5
TPH2T5K(S)Q	1	60	¾	230	7.4	40	88	21.1	6	15.71	4.61	5.04	2.20	34.8
TPH2T6K(S)Q	1	60	¾	230	7.4	40	102	21.1	6	16.42	5.31	5.75	2.91	34.0
TPH4T2K(S)Q	1	60	½	115 or 230	10.0 or 5.0	21	35	35.6	10	12.36	2.83	3.27	0.44	29.8
TPH4T3K(S)Q	1	60	¾	230	7.4	40	52	37.0	10	15.00	3.90	4.33	1.50	33.3
TPH4T4K(S)Q	1	60	1	230	8.6	40	71	38.3	11	16.06	4.96	5.39	2.56	35.1
TPH4T5K(S)Q	1	60	1½	230	10.0	40	91	30.0	10	17.13	6.02	6.46	3.62	35.3

Warning: The inlet pressure will add to the pump max pressure to be the total system pressure. When the total system pressure exceeds the local code limits for home pressure, it is required to install a pressure reducing valve to reduce the incoming pressure.

⚙️ - Assuming an average delivery of 2 GPM per tap and a 20 psi discharge pressure.