



### Applications

The TPAK Series coolant pumps are designed for the circulation and spraying of cooling lubricants, especially for machine tools.

This series may use on all machine tools performing Turning, Milling, Drilling, Cutting, Slitting, Grinding etc. operation.

It is suitable to carry liquids such as water, coolant, light oil and other clean, non aggressive fluids.

### Pumps

The pump is one-chamber vertical centrifugal pump, one straight shaft between motor and pump, impellers mounted on extended motor shaft.

### Motors

Nominal speed : 3420 rpm

Frequency range : 60 Hz

Standard voltages : 3-Phase, 230V / 460V

Enclosure class : IP54

Insulation class : F.

### Operating conditions

Max. flow : 60 GPM

Max. head : 56 ft

Max. ambient temperature : +104°F

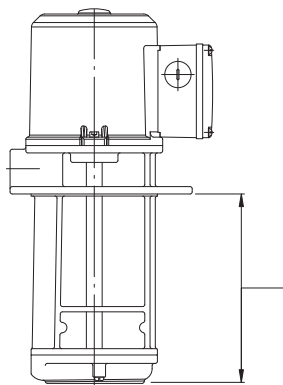
Max. liquid temperature range : +194°F

Max. operating pressure : 142 psi

### Maximum liquid level

The maximum liquid level in the installation tank must be 0.8 inch below the top of the tank.

### Model code



TPAK 2 - 18

Installation length [mm]

18 x 10 = 180 mm

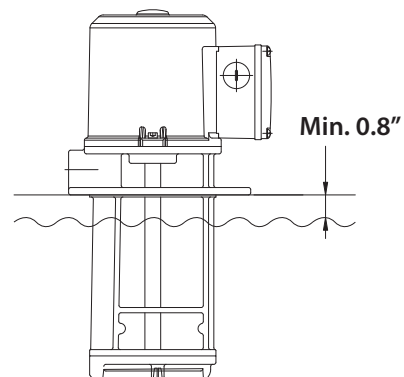
Output power

2 = ¼ HP

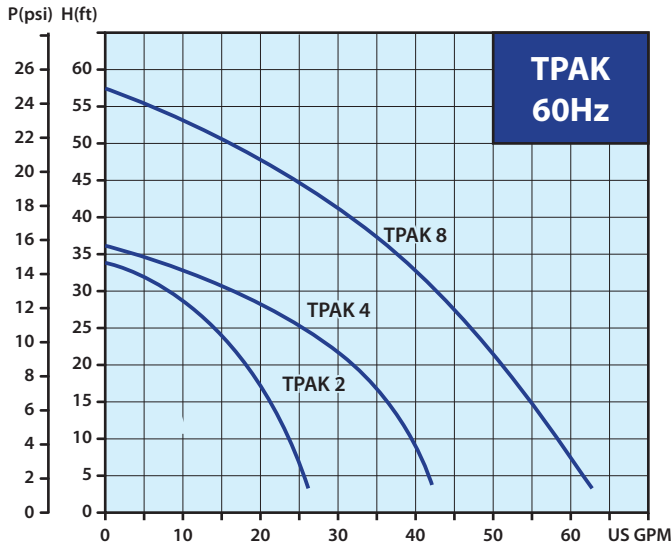
4 = ½ HP

8 = 1 HP

Model name

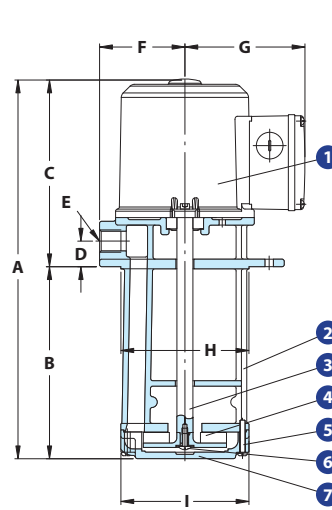


## Performance curves

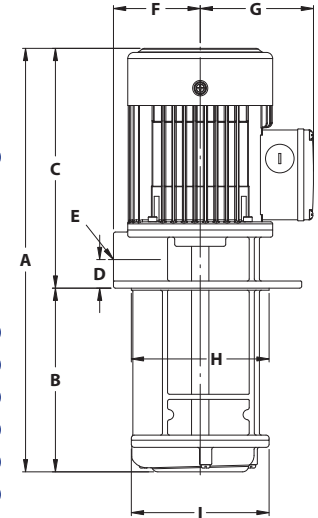


## Dimensions

TPAK 2

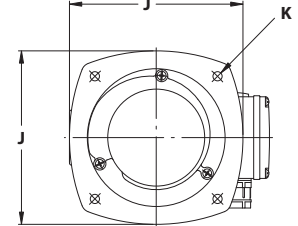
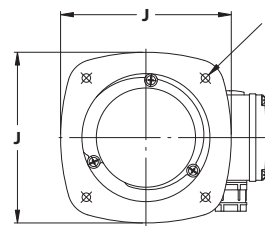


TPAK 4 / TPAK 8



## Materials

No.	Part name	Material
1	Motor shell	Aluminum alloy
2	Pump casing	Cast iron (FC20)
3	Shaft	Carbon steel (S45C)
4	Impeller	Polyoxymethylene (POM)
5	Screw	Stainless steel (SUS 304)
6	Screw	Stainless steel (SUS 304)
7	Pump cap	Cast iron (FC20)



## Electrical data, 60Hz 3420rpm

Model	Power (HP)	Phase (Ø)	S.F.	Voltage (V)	Amp's (A)	Dimensions (in.)											Net Weight (lbs)
						A	B	C	D	E	F	G	H	I	J	K	
TPAK 2-15	¼	3Ø	1.6	230 / 460	1.24 / 0.67	12.80	5.91	6.89	0.94	NPT ½"	3.15	4.43	Ø4.72	Ø4.72	6.30	4xØ0.31 PCD6.22	20.9
TPAK 2-18	¼	3Ø	1.6	230 / 460	1.24 / 0.67	13.98	7.09	6.89	0.94	NPT ½"	3.15	4.43	Ø4.72	Ø4.72	6.30	4xØ0.31 PCD6.22	22.0
TPAK 2-25	¼	3Ø	1.6	230 / 460	1.24 / 0.67	16.73	9.84	6.89	0.94	NPT ½"	3.15	4.43	Ø4.72	Ø4.72	6.30	4xØ0.31 PCD6.22	23.3
TPAK 4-15	½	3Ø	1.3	230 / 460	1.9 / 1.0	15.16	5.91	9.25	1.10	NPT ¾"	3.35	4.37	Ø5.31	Ø5.31	6.69	4xØ0.35 PCD6.69	24.7
TPAK 4-18	½	3Ø	1.3	230 / 460	1.9 / 1.0	16.34	7.09	9.25	1.10	NPT ¾"	3.35	4.37	Ø5.31	Ø5.31	6.69	4xØ0.35 PCD6.69	26.2
TPAK 4-25	½	3Ø	1.3	230 / 460	1.9 / 1.0	19.09	9.84	9.25	1.10	NPT ¾"	3.35	4.37	Ø5.31	Ø5.31	6.69	4xØ0.35 PCD6.69	28.0
TPAK 8-18	1	3Ø	1.5	230 / 460	4.0 / 2.2	17.95	7.09	10.87	1.14	NPT 1"	3.74	4.37	Ø5.91	Ø5.91	7.48	4xØ0.35 PCD7.28	34.1
TPAK 8-25	1	3Ø	1.5	230 / 460	4.0 / 2.2	20.71	9.84	10.87	1.14	NPT 1"	3.74	4.37	Ø5.91	Ø5.91	7.48	4xØ0.35 PCD7.28	37.7

## Walrus America Inc

20220 Hempstead Road, Suite #30, Houston, TX 77065  
 Phone: 281-955-8035 Fax: 281-955-8037  
 Web: www.walrusamerica.com

All specifications are subject to change without notice. 002